

RAPID ROLLING RUBBER DOOR

General : This rubber rolling rapid door is designed with windbars and can withstand wind charges of up to 8.8 psi (57.5 mph). The door is equipped with two angles and an EPDM rubber 5" loop weather-stripping soft bottom beneath that provides near-perfect sealing and insulation. The rubber roll is black colored and made of high quality SBR 70 type rubber. It is also highly fire retardant. Moreover, the rapid door is rated for use in temperatures of -40F to 180F and 1,000,000 cycles.

Curtain: The rolling curtain fabric is ¼" thick, reinforced in vertical extremities with a web band of 3 ft high, ½" thick polyurethane.

Guiding rails : The guides and angles are installed beneath the curtain and the door is equipped with a central bolted attach so that if there were to be an accident, it could be folded and allow the removal of the curtain. The side frames and covers are also galvanized.

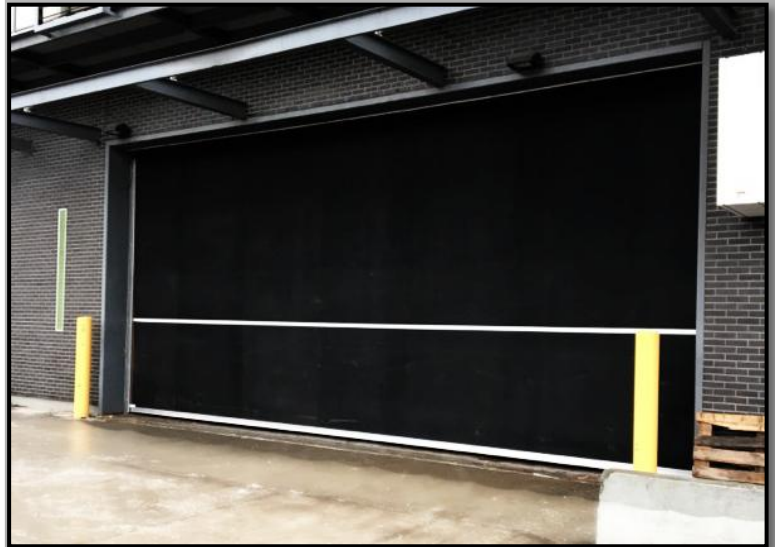
Finish: A rustproof undercoating and two coats of paint finishes are applied on the door and hardware.

Balancing mechanism : The balancing mechanism of this door functions with the aid of an electric motor that is fitted with an industrial grade reduction gearbox. Also for the purposes of heavy industrial application, the door doesn't have any spring and is able to function manually via a chain hoist, in the case of an electric outage on site. Since there is no spring or counterweight assemblies, maintenance is much easier and cheap in the long term.

Electric operator : The electric motor provides an opening and closing speed of up to 30 ips with smart slow start and slow stop. The drive system also offers the possibility to adjust the speed. Power can range from ½ to 3-½ HP and voltage is also adaptable to your premises with 110, 220, 440 and 600V options available. Frequency input can also be adapted to 50Hz or 60Hz.

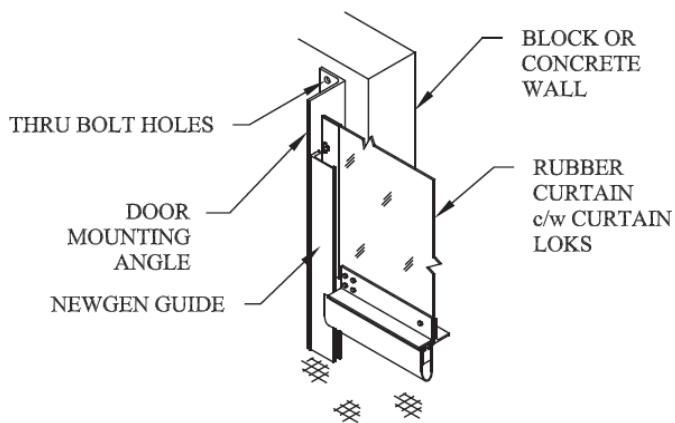
Safety systems: On the soft bottom of the web, the special weather-strip is fitted with a pneumatic safety system which reverses the operation at the contact of an obstruction. Also added on the operator system is a photoelectric detector that opens the door upon detection of an object passing through while in closing operation. The system renders impossible the closing of the rapid door on passing through vehicles or personnel.

Included services : Asselin provides the installation of the door as well as mechanical engineering drawing "For approval" and "With revision" within 10 opening days. Asselin also offers affordable transport options for its products.

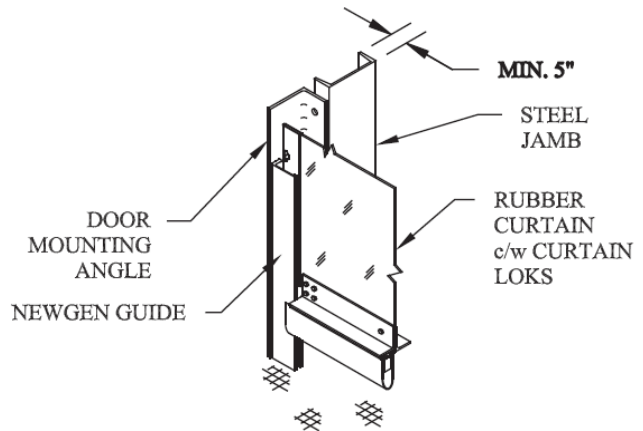


Available sizes

Width (ft)		Height (ft)	
Minimum	Maximum	Minimum	Maximum
8	30	8	30



NEWGEN GUIDE AND CURTAIN LOK SYSTEM
CONCRETE WALL MOUNTING **



NEWGEN GUIDE AND CURTAIN LOK SYSTEM
STEEL JAMB MOUNTING

