

SERIES 450 **RAPID DOOR**

General: In addition to contoured side columns, this door offers a tighter seal on all sides and an advanced wireless safety system. It is durable and can take a hit. It offers high performance for interior and exterior applications where speed, low maintenance and dependability are critical. Plus, a one-year warranty makes it the best value in the business.

Speed: Opens at up to 50 inches per second for improved traffic flow, productivity and energy conservation.

Safety: Full-width vision panel, two sets of thru-beam photo eyes and a pneumatic reversing edge are standard. Optional light curtain is available. Takes a Hit and Resets –

Mechanical System: State-of-the-art wireless technology eliminates the need for a coil cord. Two-way communication and total frequency control ensure safety and eliminate interference.

Drive System: Three-phase, variable speed AC Drive provides soft acceleration and deceleration. Independent opening and closing speeds provide flexibility to accommodate any application.

Total Digital Control: The highly advanced door controller enables precise door positioning, infinite speed adjustments and total control of all door functions.

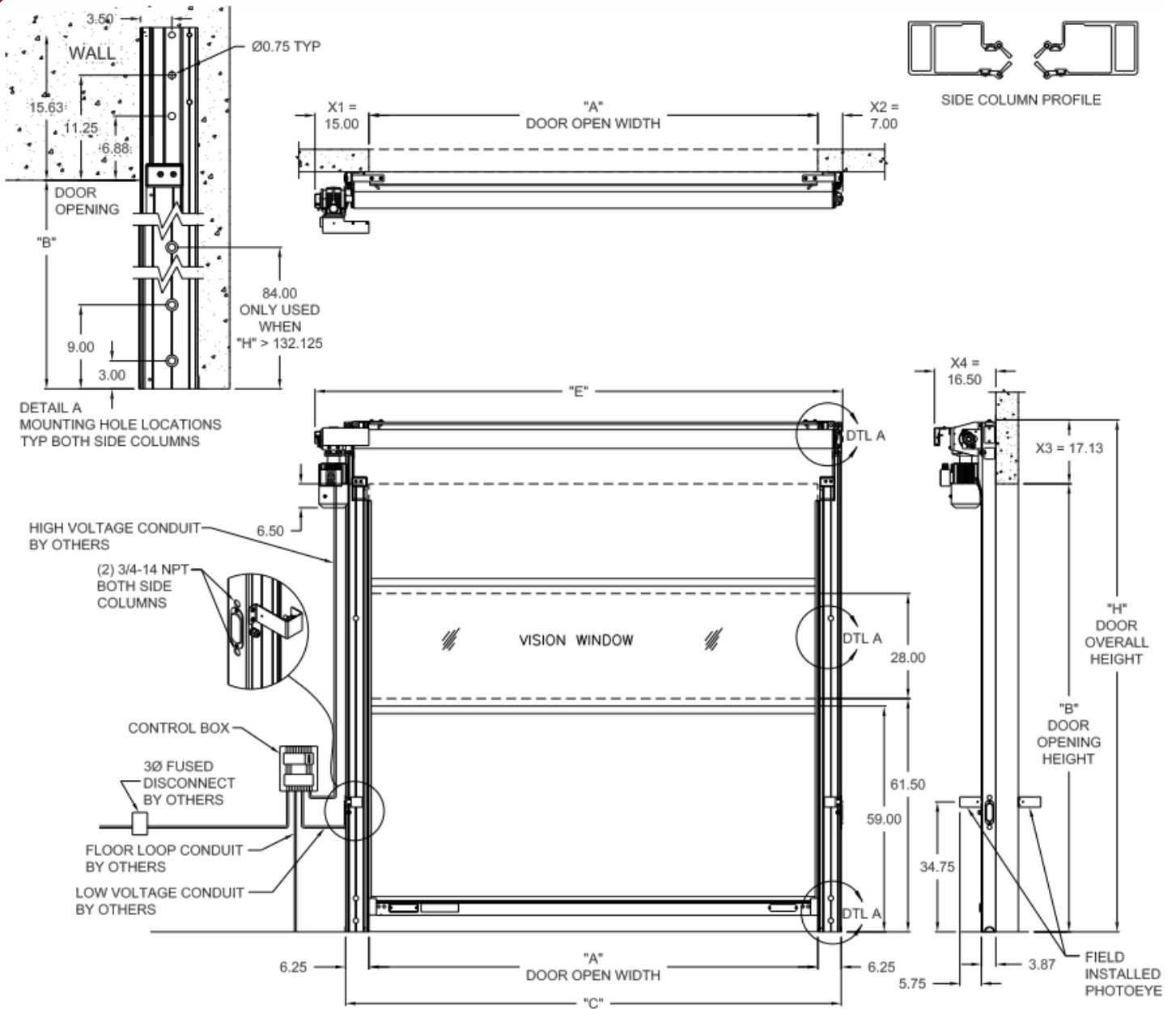
Durable Fabric Panel: Standard replaceable vinyl panel sections available in a variety of colors. Optional 2-ply and 3-ply available.

Full-Perimeter Seals: Brush seal at the top of the door. Two brushes in each side column seal both sides of the panel. Vinyl loop along the floor completes a full-perimeter seal.

Size and Dimensions: • Up to 16' W x 15' H • 4" side column projection • 20" headroom above lintel • 17" head projection • 8" side clearance, non-drive • 16" side clearance, motor side • Left or right hand motor placement

Seals: Full height brush seals on each side of the side column. Edge-to-edge brush seal at the top of the door. Vinyl loop forms a tight seal to the floor.





MODEL		ELECTRICAL OPTIONS	STANDARD FEATURES	STANDARD OPTIONS	ACTIVATION
MODEL: 450		<input type="checkbox"/> 460v - 3ph <input type="checkbox"/> 230v/208v - 3ph <input type="checkbox"/> 230v/208v - 1ph <input type="checkbox"/> 575v - 3ph <input type="checkbox"/> OTHER	1. WIRELESS BOTTOM BAR (NO COIL CORD) 2. SEMI-AUTOMATIC SELF REPAIRING BOTTOM BAR 3. CLEAR VISION WINDOW, FULL WIDTH 4. (2) SAFETY PHOTOEYES (FIELD INSTALLED) 5. SYSTEM 4 AC DRIVE 6. DUAL AIR REVERSING EDGE	<input type="checkbox"/> SLANT HOOD <input type="checkbox"/> RIGHT HAND DRIVE (LH STD.) <input type="checkbox"/> 575/460V STEP DOWN TRANSFORMER INCLUDED IN RYTEC CONTROL BOX <input type="checkbox"/> ROTARY DISCONNECT <input type="checkbox"/> TEMP < 50° REQR LOW TEMP PVC <input type="checkbox"/> OTHERS (DESCRIBE IN NOTES)	<input type="checkbox"/> PHOTOEYE <input type="checkbox"/> PULL CORDS <input type="checkbox"/> MOTION DETECTOR <input type="checkbox"/> RADIO CONTROL <input type="checkbox"/> PUSHBUTTON <input type="checkbox"/> FLOOR LOOP <input type="checkbox"/> OTHERS (DESCRIBE IN NOTES)
PANEL MATERIAL <input type="checkbox"/> 32 OZ VINYL <input type="checkbox"/> 2-PLY RILON <input type="checkbox"/> 3-PLY RILON <input type="checkbox"/> OTHER	PANEL COLOR <input type="checkbox"/> BLUE <input type="checkbox"/> ORANGE <input type="checkbox"/> OTHER				